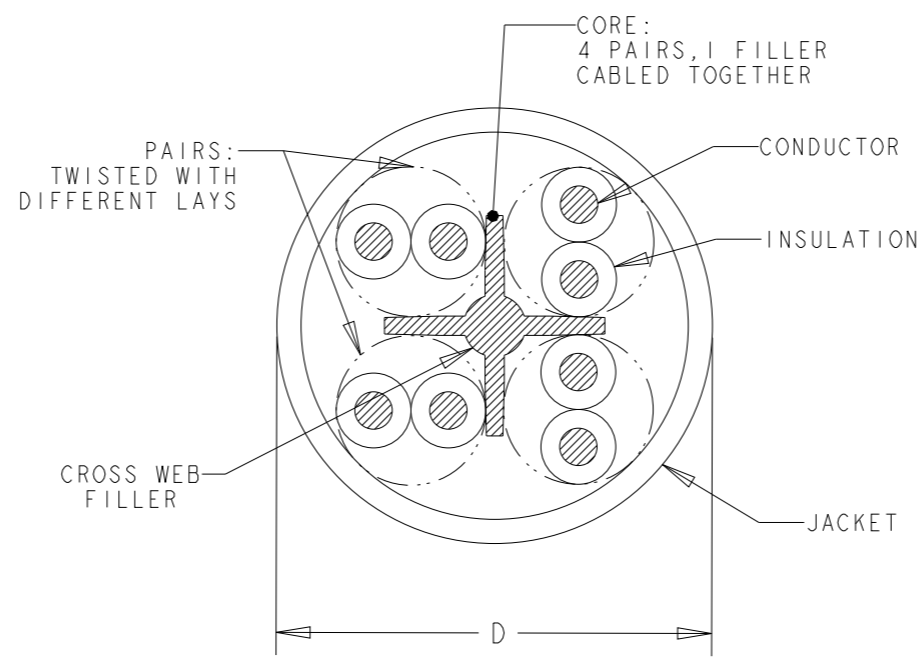


THIS DRAWING IS UNCLASSIFIED  
 RELEASED FOR PUBLICATION 2015  
 © 2016 COMMSCOPE INC. CONFIDENTIAL AND PROPRIETARY NOTICE: THESE DRAWINGS AND SPECIFICATIONS ARE THE PROPRIETARY PROPERTY OF COMMSCOPE, INC. AND MAY BE USED ONLY FOR THE SPECIFIC PURPOSE AUTHORIZED IN WRITING BY COMMSCOPE, INC.

REVISIONS					
P	LTR	DESCRIPTION	DATE	DWN	APVD
	T	REV PER BNS_CD_BRAND	01FEB2017	GG	DC

FINISHED CABLE DATA		
CONDUCTORS	WIRE AWG	24 AWG Solid
	Ø RANGE in mm	0,485<=Ø<0,546
	MATERIAL	COPPER
	PLATING	BARE
ELONGATION		15% PER EN 50288-1
INSULATION	MATERIAL	POLYETHYLENE
	OVERALL DIAMETER	0,95
DRAIN WIRE	WIRE AWG	-
	MATERIAL	-
	PLATING	-
	ELONGATION	-
BINDER	POLYESTER TAPE	OPTIONAL
INDIVIDUAL PAIR SCREEN	MATERIAL	-
OVERALL SHIELD	FOIL MATERIAL	-
OVERALL SHIELD	BRAID MATERIAL	-
	PLATING	-
	COVERAGE	-
	ELONGATION	-
JACKET	MATERIAL	LSZH
	OVERALL DIAMETER (D)	5,7 mm
PULLING FORCE	MAX.	90 N

- REFER TO PRODUCT SPEC 108-93018 FOR ADDITIONAL REQUIREMENTS.
- CABLE PRINT LEGEND:  
 CAT6 UTP SOLID PR04 LSZH (P/N IN 1-7-1 FORMAT) MADE IN (MANUFACTURING COUNTRY FULLY WRITTEN OUT).



ACTIVE	WHITE	305	REEL BOX	7-219585-2
ACTIVE	WHITE	305	PULL BOX	6-219585-2
ACTIVE	WHITE	500	REEL	4-219585-1
	WHITE	1000	REEL	219585-3
	WHITE	305	REEL BOX	219585-2
	WHITE	305	REEL	219585-1
STATUS	COLOUR	LENGTH (METRES)	PACKAGE	PART NUMBER

THIS DRAWING IS A CONTROLLED DOCUMENT.		DWN L. de Dios 25Jul2014	<h2 style="text-align: center;">COMMSCOPE, INC.</h2> <p style="text-align: center;">CABLE, CAT6, UTP, SOLID, PR04, AWG24, LSZH</p>		
DIMENSIONS: mm		CHK A. Martinez 25Jul2014			
TOLERANCES UNLESS OTHERWISE SPECIFIED:		APVD J. Sanabra 25Jul2014			
0 PLC ±- 1 PLC ±- 2 PLC ±- 3 PLC ±- 4 PLC ±- ANGLES ±-		PRODUCT SPEC -			
MATERIAL -		FINISH -	APPLICATION SPEC -	WEIGHT -	NAME SIZE CAGE CODE DRAWING NO RESTRICTED TO
CUSTOMER DRAWING			SCALE NTS	SHEET 1	OF 1
			REV T		